

T22P

Standard Office IP phone

3-Line business IP phone
with large LCD screen

HD Voice

PoE 3

Headset Port



T22P is the ideal IP business phone to equip the office for reliable, intensive telephone based business without incurring extravagant expense. Productivity driven, this best selling mid range phone is a robust, hard working favourite.

T22P

Network Features

SIP v1(RFC2543), v2(RFC3261)
3 User accounts
NAT Transverse: STUN mode
IP Assignment: Static/DHCP/PPPoE
In-Band DTMF, Out-of-Band DTMF, SIP Info
Proxy mode and Peer-to-peer SIP link mode
TFTP/DHCP/PPPoE client
Telnet/HTTP server
DNS client
NAT/DHCP server
Support VLAN, QoS
PoE optional

Voice Features

Wideband Codec: G.722, voice spectrum between 50-7000Hz
Narrowband Codecs: G.711, G.726, G.723.1/iLBC, G.729AB and GSM
VAD, CNG, AEC, PLC, AJS, AGC
Full-duplex hands-free speakerphone

Telephony Features

Call Hold, Call Waiting, Call Transfer, Call Forward
Caller ID, Call List, DND, Redial, Flash
3-way Conference, Speed Dial
Personal Ring Tone, Voicemail
Volume Adjustment, Mute, Speakerphone

IP PBX System Integration

Dial Plan, Dial-now, Paging
Downloadable enterprise phonebook
Call Park, Call Pickup, Distinctive Ringtone
Auto-answer, intercom

Config, Upgrade and Usage

Language Customization Support
Firmware Upgrade: TFTP/Console/Auto-provision
Auto-provision: TR069 Optional
Direct IP call without SIP proxy
Dial number via SIP server
Dial URL via SIP server

Security

Secure RTP
Digest authentication using MD5/MD5-
sess
Secure configuration file via AES
encryption

Physical Features

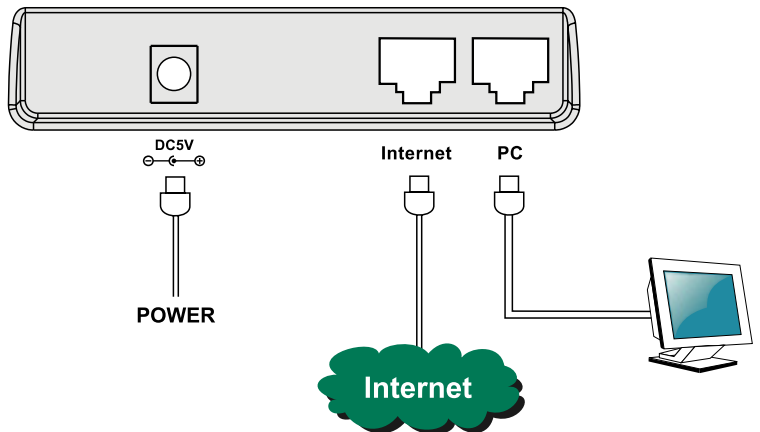
TI Titan Chipset
LCD: 132x64 with blue backlight
3 programmable keys, 4 text-sensitive keys
23 hard keys, 2 indication LEDs
Headset port: RJ9
Network Interface: 2xRJ45 10/100M ports
Dimension: 275 x 220 x 105 mm
Net Weight: 1.22 kg
Power adapter: Input: AC 100~240V
Output: DC 5V/1A
Operating humidity: 10~95%
Storage temperature: up to 60 C

Package Features

Qty per Carton: 10
Carton Weight: 13.3 Kgs
Carton Dims: 565 x 570 x 255 mm

Certifications

WEEE



Yealink

EASY VoIP